

Multiple Disc Brakes FOB-1D

BALLEGGI
OLEODINAMICA

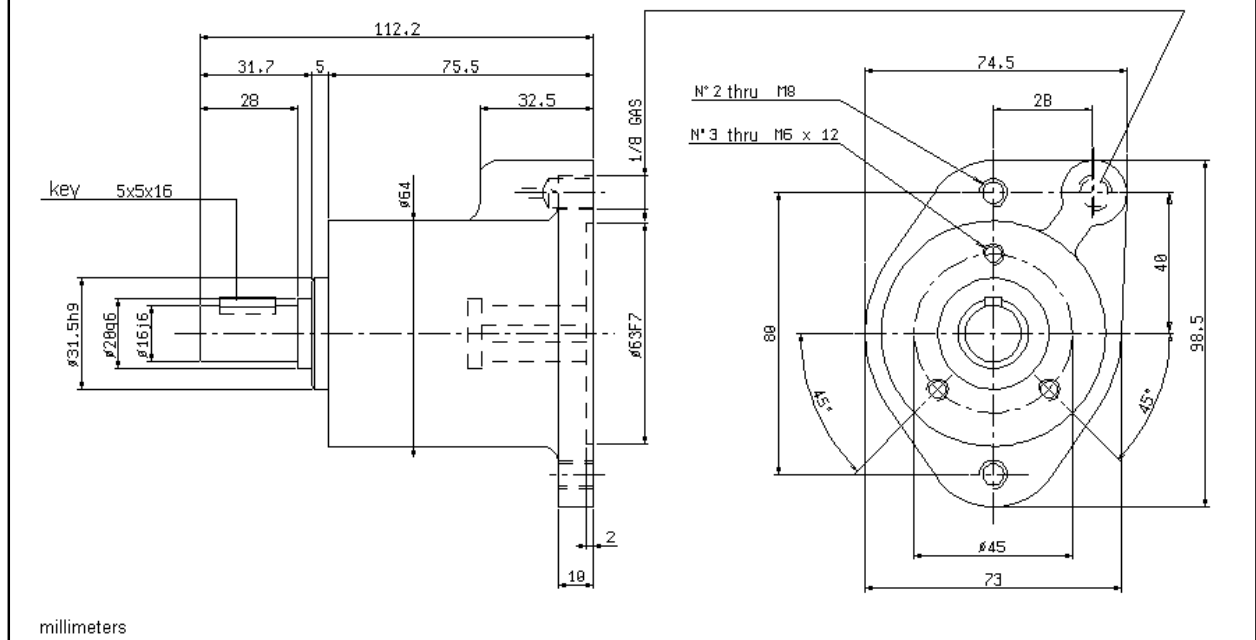
Features

- Motor input
- Sintered bronze friction plates
- Hardened high strength steel shafts
- Minimal brake torque 20 N-m (177 lb-in)
- Operating pressure 250 bar (3630 psi)
- Release pressure 8 bar (116 psi), ideal for closed loop hydrostatic systems



Technical Drawing

TYPICAL MODEL SHOWN For detailed information on other models, contact Oleodinamica Balleggi



Specifications

Torque range at 0 bar (0 psi) back pressure.....	20-60 Nm (177-531 lb-in)
Release pressure range.....	7-18 bar (102-261 psi)
Maximum operating pressure.....	250 bar (3630 psi)
Maximum speed.....	3300 rpm
Volume of oil to release brake (minimum).....	3 cm ³ (0.183 in ³)
(maximum).....	4.2 cm ³ (0.256 in ³)
Maximum operating temperature.....	110°C (230°F)
Weight.....	3.5Kg (7.72 lb)
Fluid type.....	Mineral base hydraulic oil

Oleodinamica Balleggi S.a.s. di Balleggi L. & C.
Via Curtatone 3, 20019 Settimo Milanese MI
Tel.: + 39.02.48.92.06.84 / 02.48.92.63.51 Fax.: + 39.02.47.99.48.67
E-mail: info@oleodinamica-balleggi.com; URL.: www.oleodinamica-balleggi.com